



Model Number

NCB40-FP-N0-P1-V1

Features

- 40 mm flush

Accessories

V1-G

Female connector, M12, 4-pin, field attachable

V1-W

Female connector, M12, 4-pin, field attachable

V1-G-N-2M-PUR

Female cordset, M12, 2-pin, NAMUR, PUR cable

V1-W-N-2M-PUR

Female cordset, M12, 2-pin, NAMUR, PUR cable

Technical Data

General specifications

Switching function		Normally closed (NC)
Output type		NAMUR
Rated operating distance	s_n	40 mm
Installation		flush
Assured operating distance	s_a	0 ... 32 mm
Actual operating distance	s_r	36 ... 44 mm typ. 40 mm
Reduction factor r_{AI}		0.35
Reduction factor r_{CU}		0.35
Reduction factor r_{304}		0.8
Output type		2-wire

Nominal ratings

Installation conditions		
F		100 mm
Nominal voltage	U_o	8.2 V (R_i approx. 1 k Ω)
Switching frequency	f	0 ... 80 Hz
Hysteresis	H	0 ... 5 typ. 3 %
Reverse polarity protection		reverse polarity protected
Short-circuit protection		yes
Current consumption		
Measuring plate not detected		≥ 3 mA
Measuring plate detected		≤ 1 mA
Time delay before availability	t_v	≤ 20 ms
Switching state indicator		LED, yellow

Functional safety related parameters

MTTF _d		2368 a
Mission Time (T_M)		20 a
Diagnostic Coverage (DC)		0 %

Ambient conditions

Ambient temperature		-25 ... 100 °C (-13 ... 212 °F)
Storage temperature		-40 ... 100 °C (-40 ... 212 °F)

Mechanical specifications

Connection type		Connector plug M12 x 1, 4-pin
Housing material		PBT
Sensing face		PBT
Housing base		PBT
Degree of protection		IP67

General information

Use in the hazardous area		see instruction manuals
Category		1G; 2G; 1D

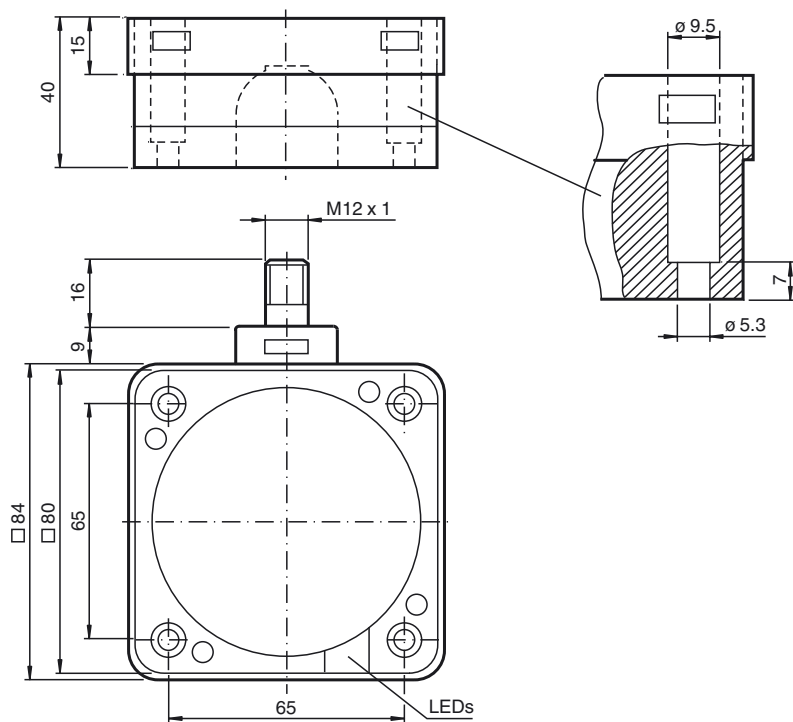
Compliance with standards and directives

Standard conformity		
NAMUR		EN 60947-5-6:2000 IEC 60947-5-6:1999
Electromagnetic compatibility		
Standards		NE 21:2007 EN 60947-5-2:2007 EN 60947-5-2/A1:2012 IEC 60947-5-2:2007 IEC 60947-5-2 AMD 1:2012

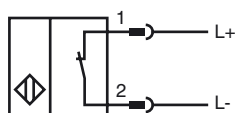
Approvals and certificates

EAC conformity		TR CU 012/2011
FM approval		
Control drawing		116-0165
UL approval		cULus Listed, General Purpose
CSA approval		cCSAus Listed, General Purpose
CCC approval		CCC approval / marking not required for products rated ≤ 36 V

Dimensions



Electrical Connection



Wire colors in accordance with EN 60947-5-6

- | | | | |
|---|--|----|---------|
| 1 | | BN | (brown) |
| 2 | | BU | (blue) |

Equipment protection level Ga

CE marking	CE 0102	
ATEX marking	Ex II 1G Ex ia IIC T6...T1 Ga The Ex-related marking can also be printed on the enclosed label.	
Standards	EN 60079-0:2012+A11:2013, EN 60079-11:2012 Ignition protection "Intrinsic safety" Use is restricted to the following stated conditions	
Appropriate type	NCB40-FP-N0..	
Effective internal inductivity C_i	≤ 220 nF ; a cable length of 10 m is considered.	
Effective internal inductance L_i	≤ 360 μ H ; a cable length of 10 m is considered.	
Highest permissible ambient temperature	Details of the correlation between the type of circuit connected, the maximum permissible ambient temperature, the temperature class, and the effective internal reactance values can be found on the EU-type examination certificate. Note: Use the temperature table for category 1 !!! The 20 % reduction in accordance with EN 1127-1 has already been applied to the temperature table for category 1.	

Special conditions

Release date: 2018-04-19 08:12 Date of issue: 2018-04-19 180491_eng.xml

Equipment protection level Gb

CE marking		CE 0102
ATEX marking		Ex II 1G Ex ia IIC T6...T1 Ga The Ex-related marking can also be printed on the enclosed label.
Standards		EN 60079-0:2012+A11:2013, EN 60079-11:2012 Ignition protection "Intrinsic safety" Use is restricted to the following stated conditions
Appropriate type		NCB40-FP-N0..
Effective internal inductivity	C_i	≤ 220 nF ; a cable length of 10 m is considered.
Effective internal inductance	L_i	≤ 360 μ H ; a cable length of 10 m is considered.
Maximum permissible ambient temperature T_{amb}		Details of the correlation between the type of circuit connected, the maximum permissible ambient temperature, the temperature class, and the effective internal reactance values can be found on the EU-type examination certificate.

Special conditions**Equipment protection level Da**

CE marking		CE 0102
ATEX marking		Ex II 1D Ex ia IIIC T135°C Da The Ex-related marking can also be printed on the enclosed label.
Standards		EN 60079-0:2012+A11:2013, EN 60079-11:2012 Ignition protection "Intrinsic safety" Use is restricted to the following stated conditions
Appropriate type		NCB40-FP-N0..
Effective internal inductivity	C_i	≤ 220 nF ; a cable length of 10 m is considered.
Effective internal inductance	L_i	≤ 360 μ H ; a cable length of 10 m is considered.

Special conditions